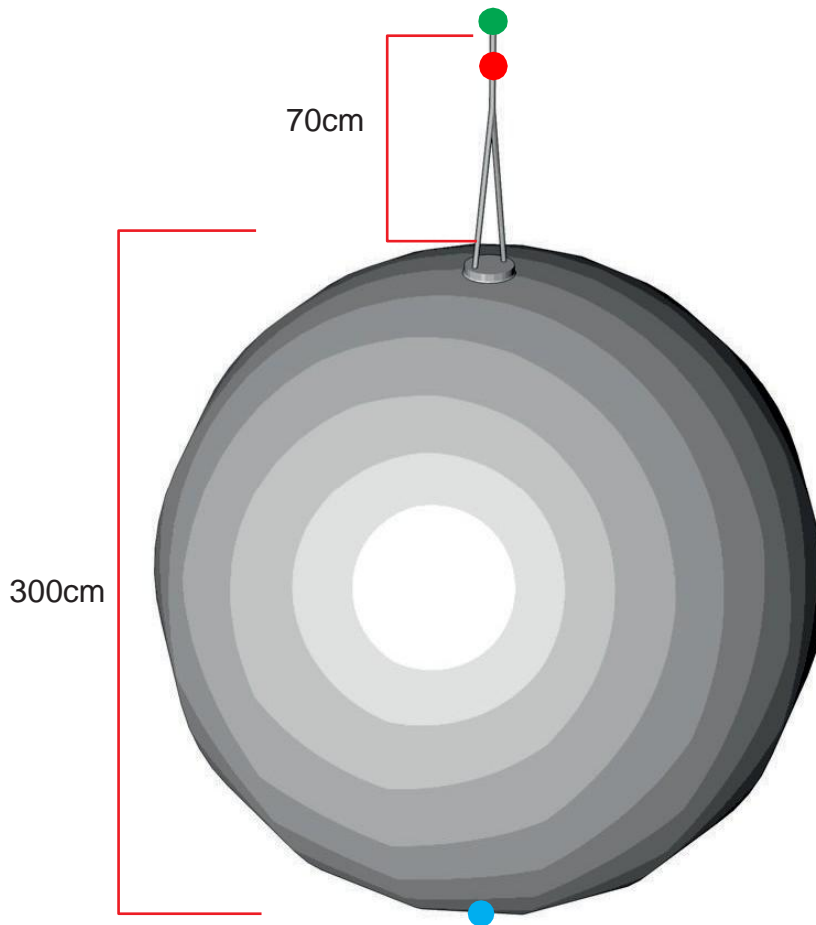




# Mirror Ball 300



● Mirror Ball Motor    ● Attachment points    ● Valve position

Technical information	
Total transport size flightcase	150* 120 * 136cm / 200 kg
Total weight inflatable + motor	78 kg with motor / 61 kg without motor
Blower	Has an airtight inner sphere, all tools to inflate are with the piece
Additional information	Only indoor usage

Airworks Studio:  
Flevolaan 7  
1382 JX Weesp  
The Netherlands

t +31 294 483 428  
e info@airworks.nl  
w airworks.nl

CC 34170530  
VAT NL810644009B01

For all Airworks agreements the general- and/or rental- terms and conditions are applicable. The general conditions are available for review at: [www.airworks.nl](http://www.airworks.nl). The applicability of any conditions used by the other party is expressly excluded.